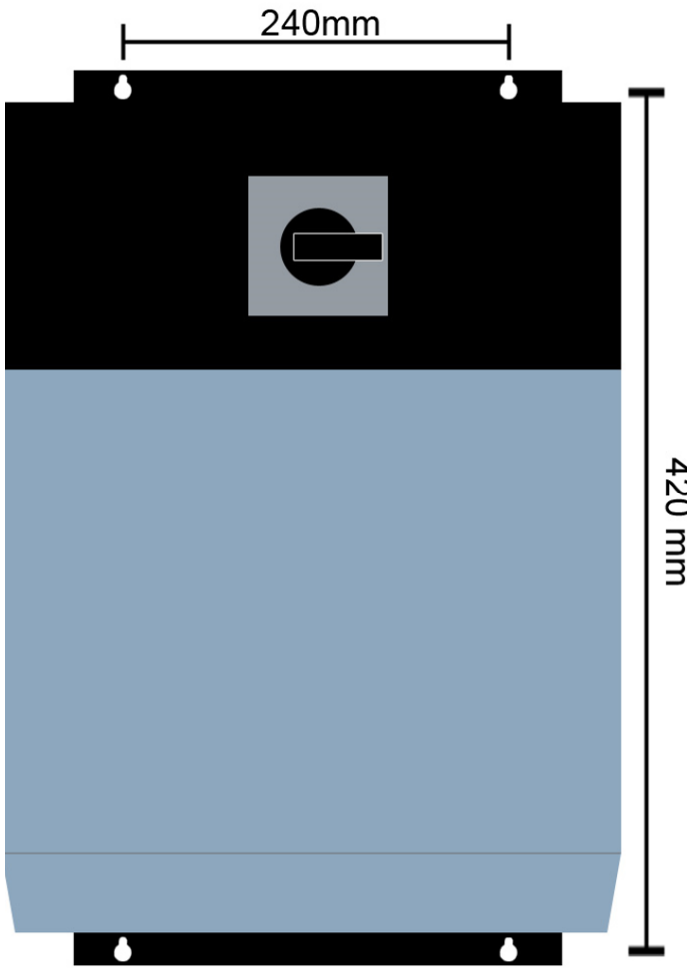


Wall-mounted External Maintenance Bypass	
GENERAL CHARACTERISTICS	30K MBS
Nominal current	63A
Max voltage	440VAC
Frequency	50 or 60 Hz
Isolation voltage	660 VAC
CONNECTION	
Input	Terminal (Ph-N+G)
Output	Terminal (Ph-N+G)
Recommended wires	6AWG for phase wires
	4AWG for Neutral wire
PHYSICAL CHARACTERISTICS	
Dimensions D x W x H (mm)	463x300x300
Net weight (kg)	10,5
ENVIRONMENT	
Humidity	0-95% relative humidity @ 0-40° non condensing
NORMS	
Standart	CE RoHS
EMC (Electromagnetic compatibility)	EN 55022:2006+A1:2007 / EN 55024:1998+A1:2001+A2:2003
Low voltage (Safety)	EN 60950-1
SALES INFO	
Compatibility	Galleon 10-30K
Warranty	2 years





Certificate No. AN 50267459

Certificate Type: Certificate of Conf. Low Voltage D.

Certificate Holder: **SHENZHEN ZIHENG TECHNOLOGY DEVELOPMENT CO., LTD.**
12H Jinyin Ge, Jinbao City,
Nayuan Road, Futian District,
Shenzhen,
China

Certificate Number: AN 50267459

Order Number: 154033935

Certified Product: Switch (Rotary Switch)
Model Designation:
ZHLW28-40 ZHLW28-63 (ZIHENG)

Fulfilled Standards: EN 60947-3:2009+A1
Council Directive 2006/95/EC - Annex I

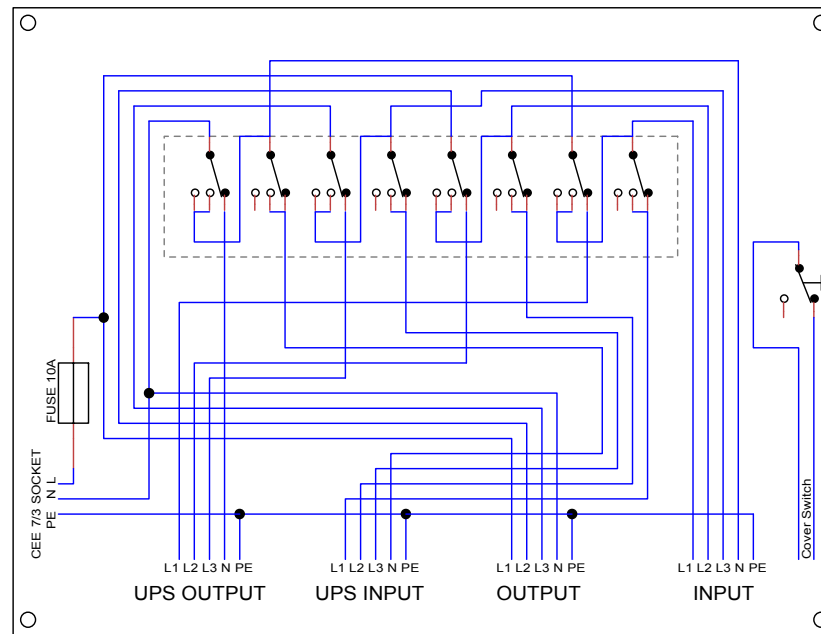
The standard(s) listed here reflect the status at the time of the release of this certificate.

Issue Date: November 13, 2013

Further Information

- Request more information on SHENZHEN ZIHENG TECHNOLOGY DEVELOPMENT CO., LTD.
- All certificates / IDs of SHENZHEN ZIHENG TECHNOLOGY DEVELOPMENT CO., LTD.

STWICH TYPE: CAM SWITCH ZHLW28-63/10
 Ui 660V Ith 63A



Title FSP MBS-3330W		
Author FSP Power Solution GmbH		
File	C:\CAD\MBS-3330W.dsn	Document
Revision 1.0	Date	Sheets 1 of 1