

# User Manual

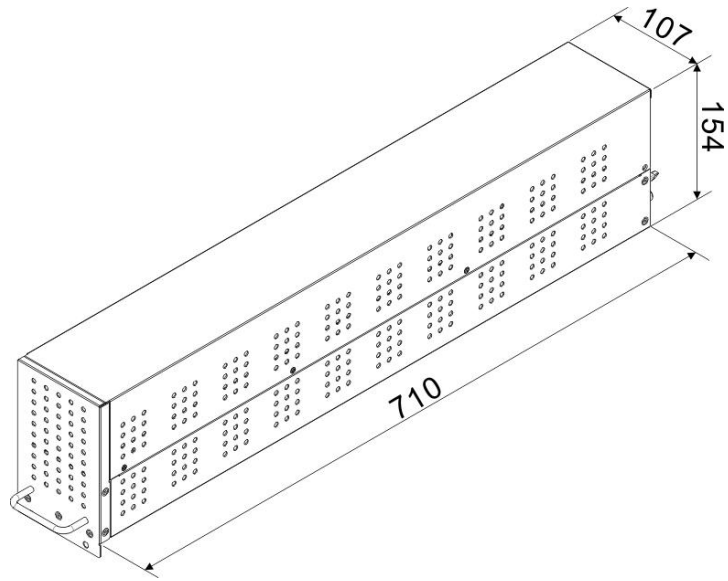
## 9AH 12V BATTERY BANK

# Table Of Contents

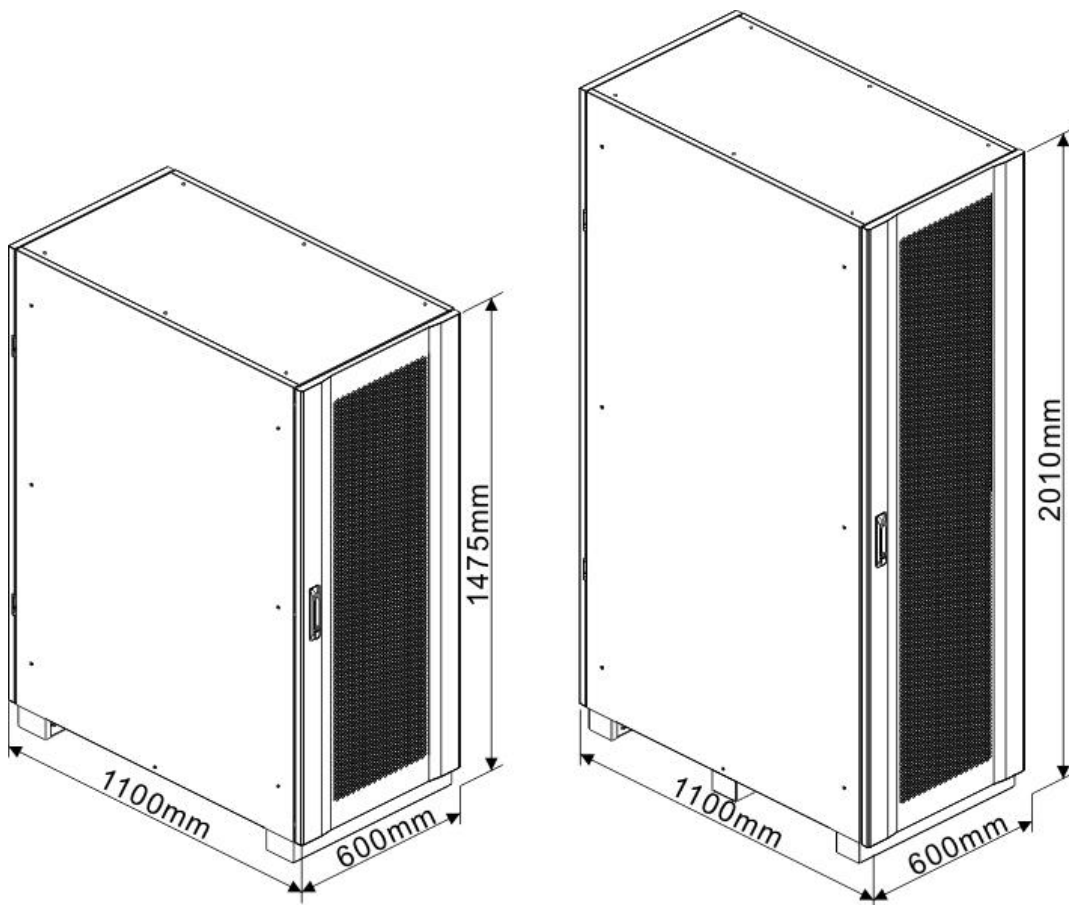
1. Mechanical Data.....	2
2. Unpacking .....	3
3. Battery Module Installation.....	5

# 1. Mechanical Data

## (1) Battery Module and Battery Rack



Battery Module



Battery RACK

## 2. Unpacking

- (1) Use a forklift to move the product to installed area. Refer to Figure 2-1. Please make sure the bearing capacity of forklift is sufficient.
- (2) Please remove wooden case and foam according to order figure 2-2.

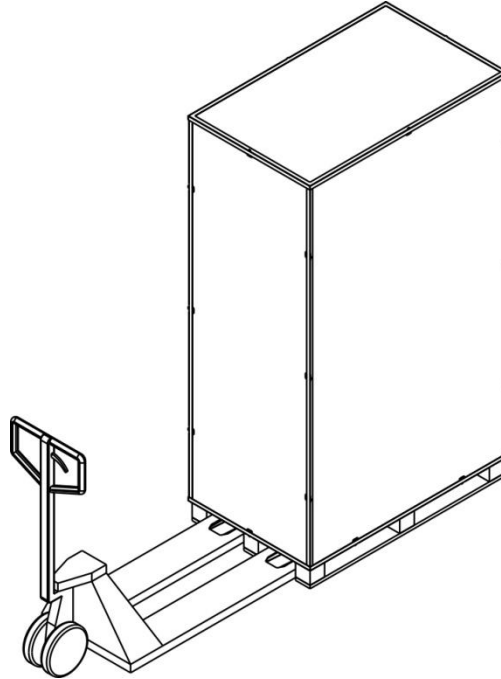


Figure 2-1

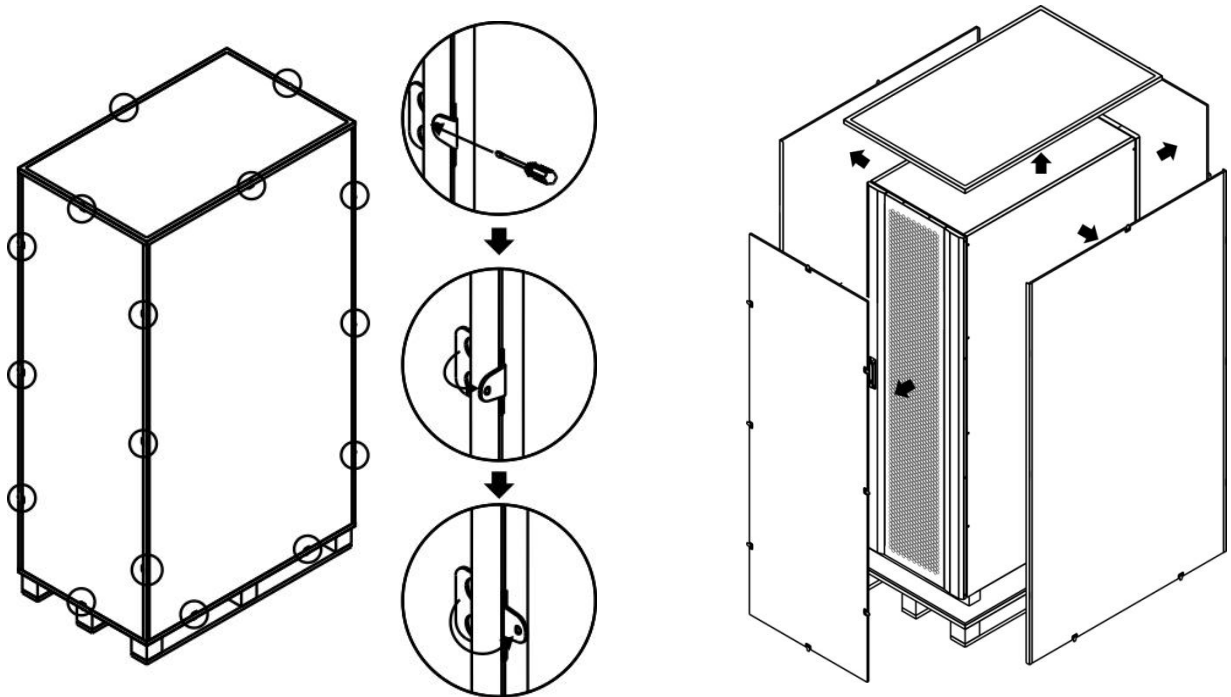


Figure 2-2

(3) The four sides of the battery cabinet feet are fixed with screws and nuts. Loosen the screws and nuts to remove the fixing on the cabinet and pallet. Refer to Figure 2-4.

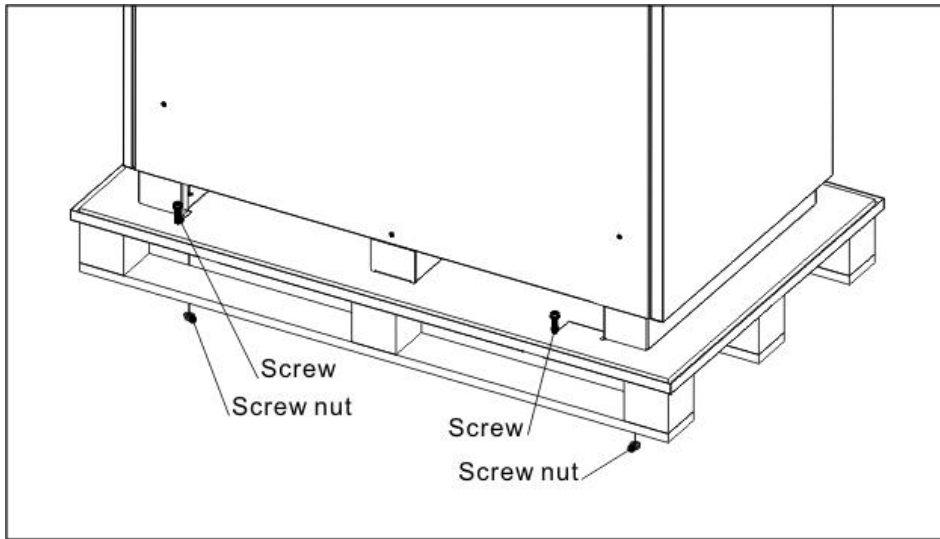
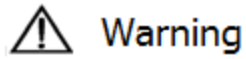


Figure 2-4

(4) Use a crane or other tool to remove the cabinet from the pallet and place the battery cabinet.

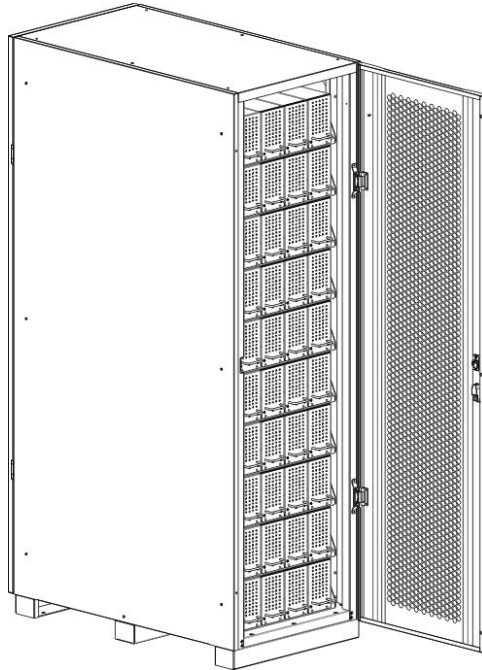
### 3. Battery Module Installation



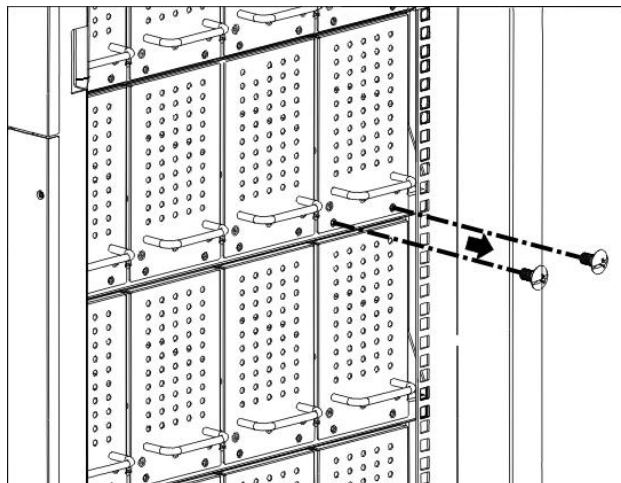
- The weight of Battery Module is heavy so at least two persons are required for handling.
- Before performing the Battery Module installation/ replacement, make sure the Battery Breaker is in the **OFF** position.

#### 3.1. Insert the Battery Module

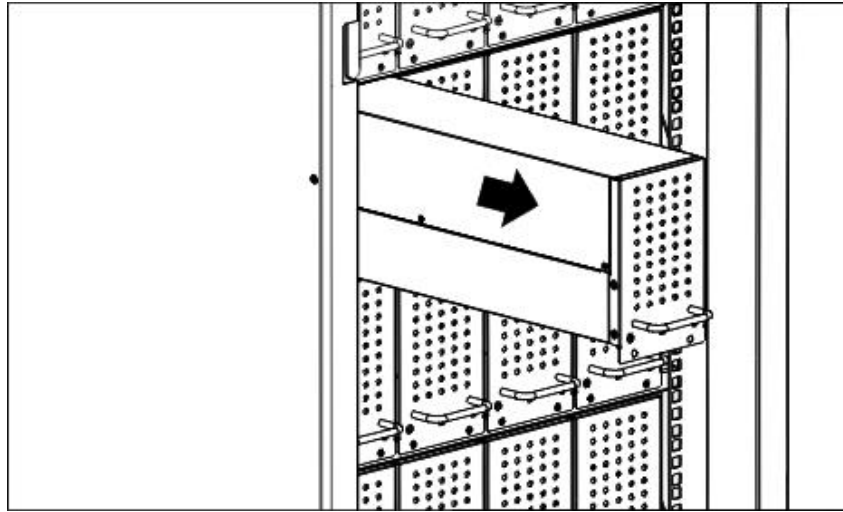
(1) Open the battery rack front door.



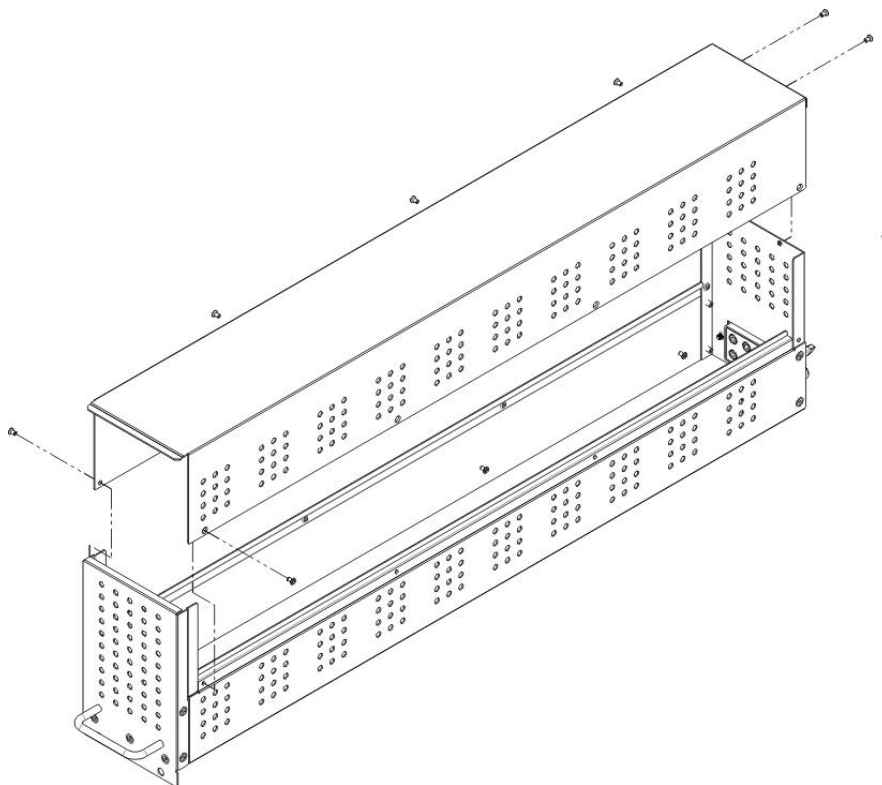
(2) Remove the screw from the battery module.



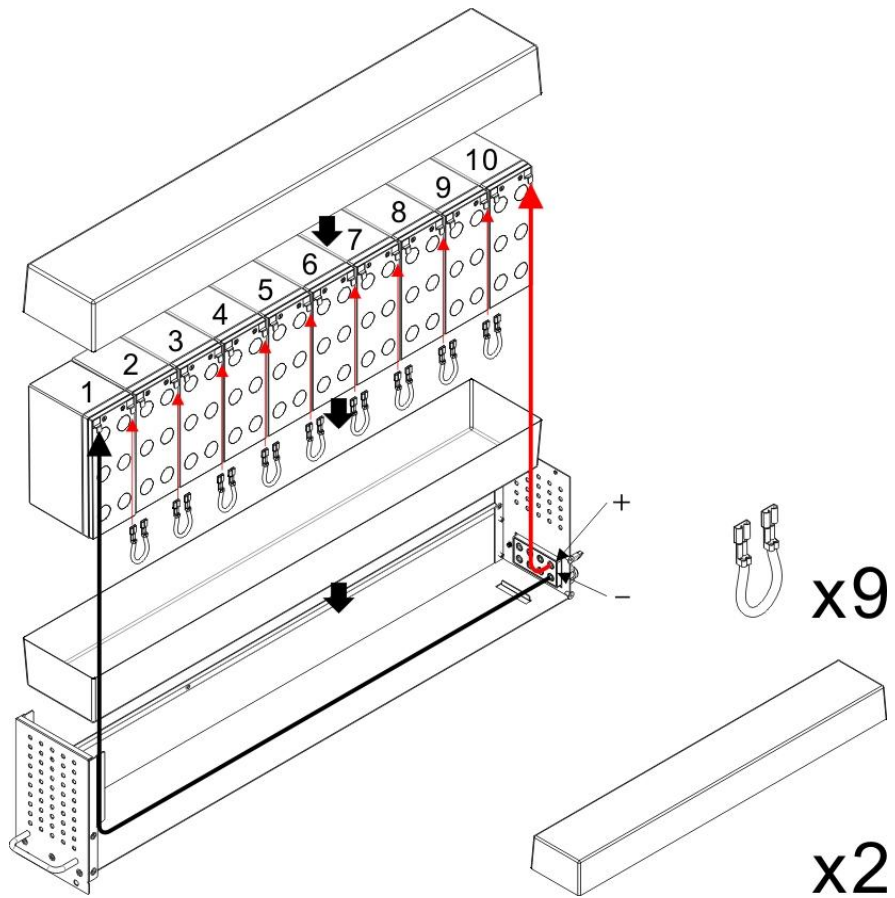
(3) Remove the empty battery module.



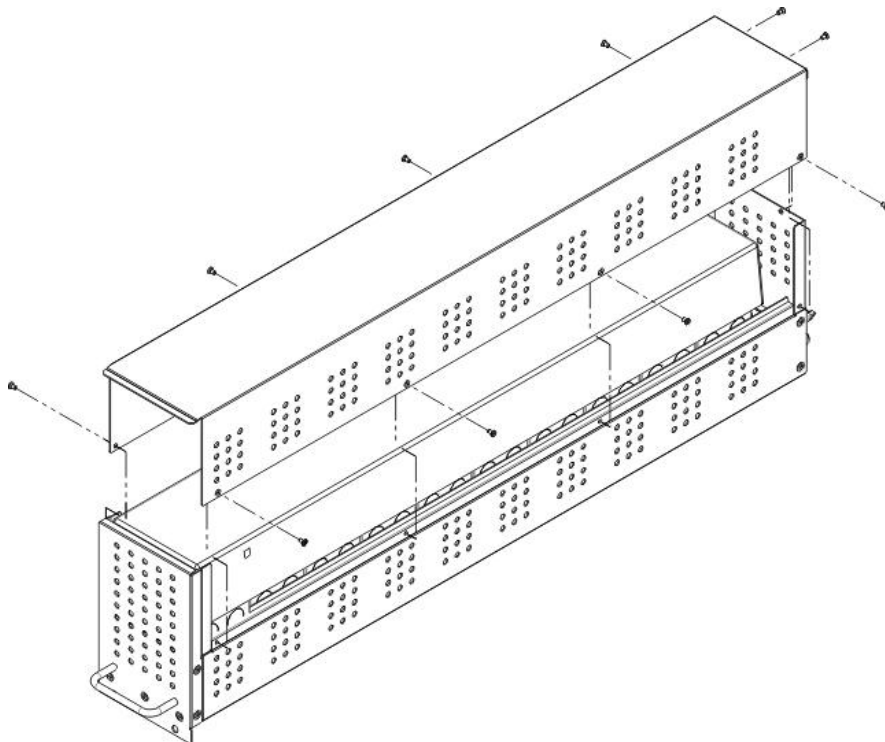
(4) Remove the empty battery module cover.



(5) Assemble the 9AH 12V battery into the empty battery module, as shown below.

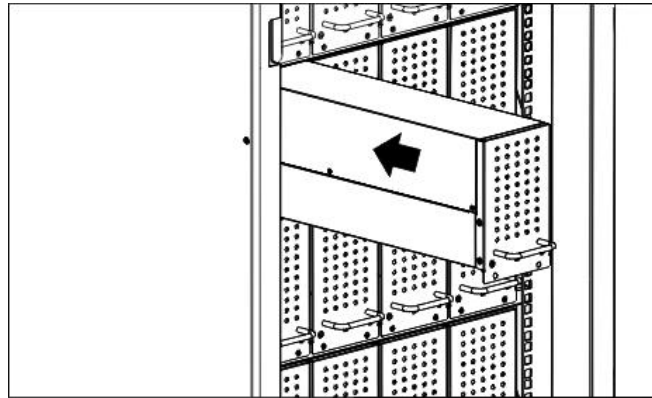


(6) Assemble the top cover and lock the screws in sequence.

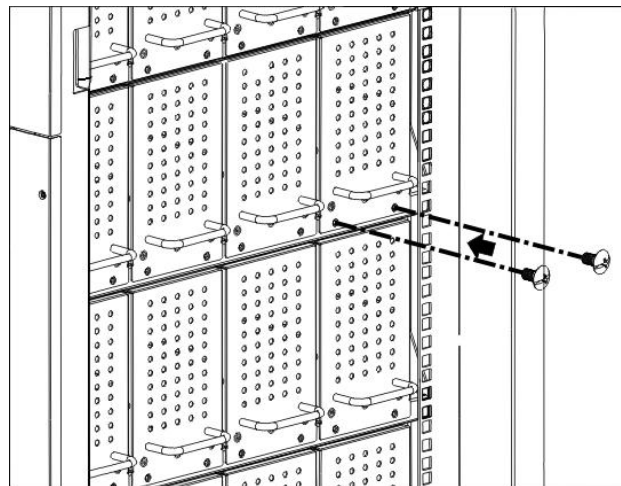




(7) Insert the battery module back into the battery cabinet.



(8) Screw the battery module lock.



(9) All battery modules in accordance with the order of assembly assembly, ordered by the bottom of the battery cabinet assembly.

